



ASSEMBLY & OPERATING INSTRUCTIONS

MODEL #45550 30" CART BOTTOM
FOR USE WITH ANGUS (PICTURED), LONESTAR SELECT & OUTLAW GRILL HEADS

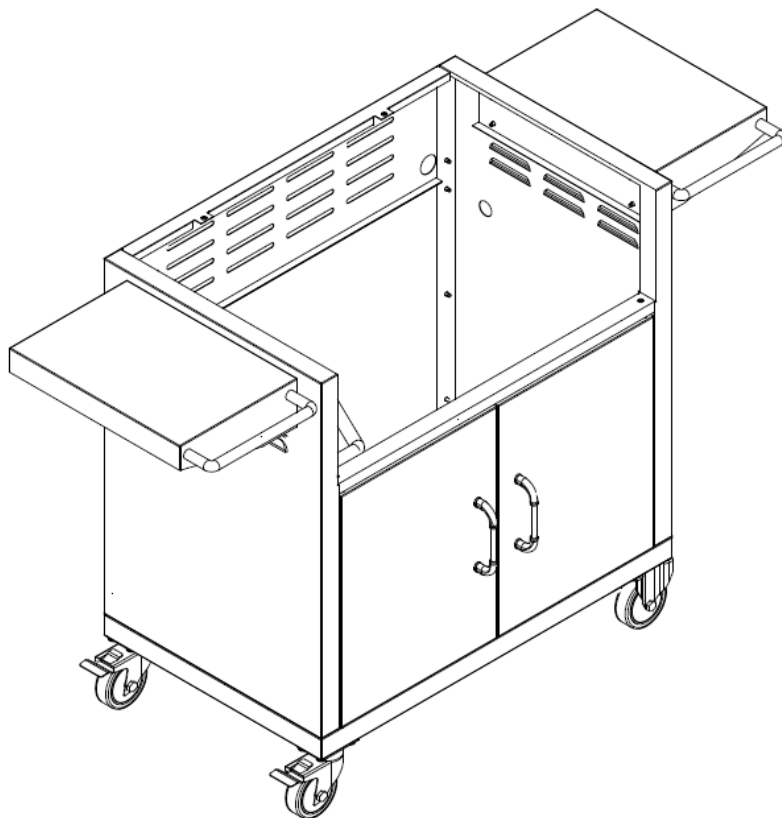


TABLE OF CONTENTS

PAGE #

HARDWARE LIST.....	2
ASSEMBLY INSTRUCTIONS.....	3
CLEANING & MAINTENANCE.....	7
<i>CLEANING THE GRILL CART</i>	7
PARTS LIST.....	8
EXPLODED ILLUSTRATION.....	9
LIMITED WARRANTY.....	10

- READ THE FOLLOWING INSTRUCTIONS CAREFULLY AND BE SURE YOUR GRILL CART IS PROPERLY INSTALLED, ASSEMBLED AND CARED FOR. FAILURE TO FOLLOW THESE INSTRUCTIONS MAY RESULT IN SERIOUS BODILY INJURY AND/OR PROPERTY DAMAGE. IF YOU HAVE QUESTIONS CONCERNING ASSEMBLY OR OPERATION, CONSULT YOUR DEALER OR APPLIANCE SERVICE REPRESENTATIVE.

- NOTE TO INSTALLER:

LEAVE THESE INSTRUCTIONS WITH THE CONSUMER AFTER INSTALLATION.

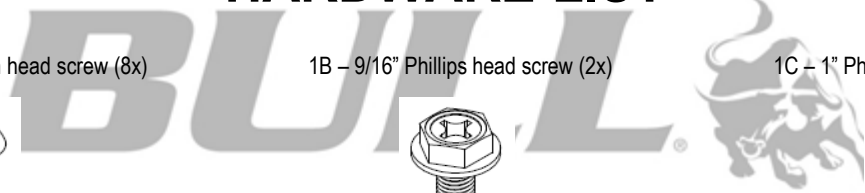
- NOTE TO THE CONSUMER:

RETAIN THESE INSTRUCTIONS FOR FUTURE REFERENCE.

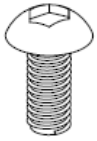
*FOR WARRANTY PURPOSES, PLEASE RECORD YOUR MODEL NUMBER, SERIAL NUMBER, DATE OF PURCHASE & A COPY OF YOUR RECEIPT OR INVOICE IN THE BACK OF YOUR MANUAL ON PAGE 10.



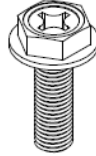
HARDWARE LIST



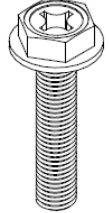
1A – 1/2" Allen wrench head screw (8x)



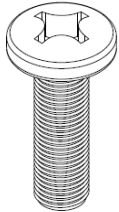
1B – 9/16" Phillips head screw (2x)



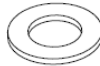
1C – 1" Phillips head screw (2x)



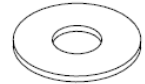
1D – 1" Phillips head screw (16x)



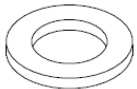
1E – 7/16" Small flat washer (8x)



1F – 9/16" medium flat washer (2x)



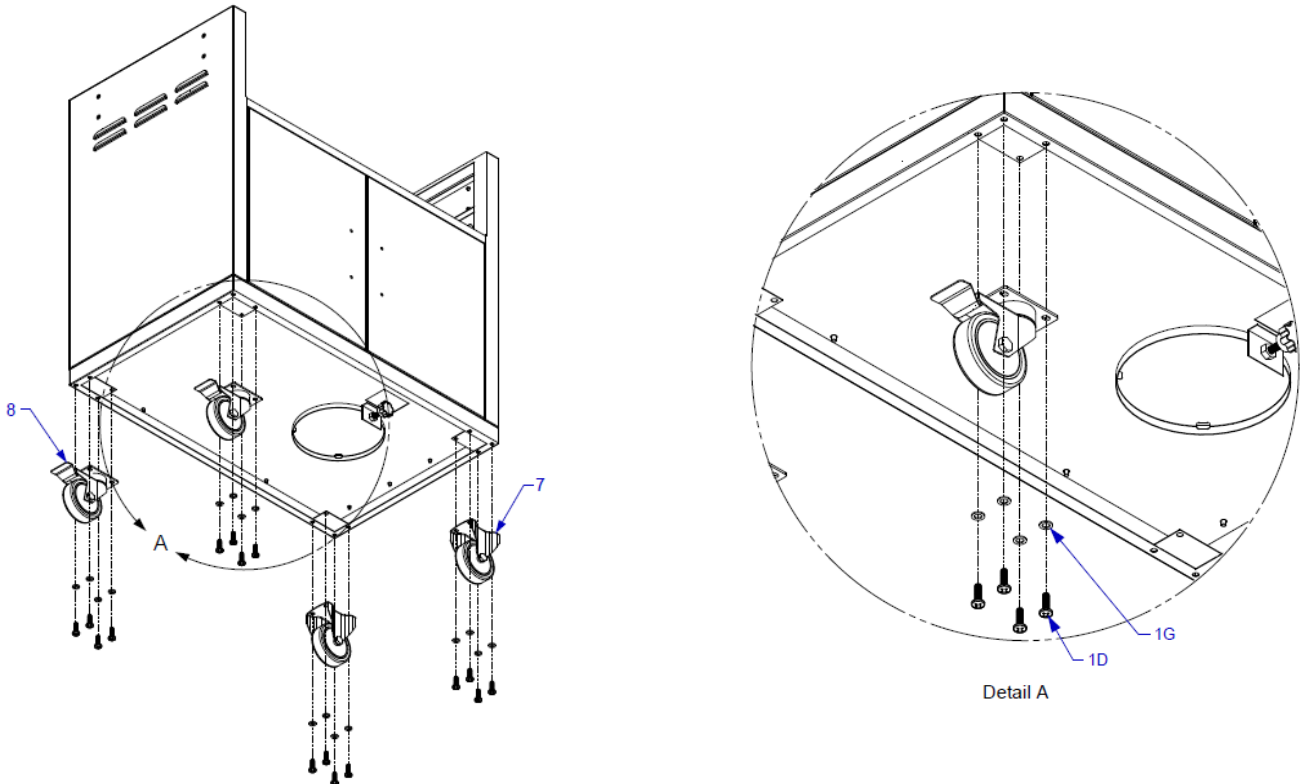
1G – 5/8" Medium flat washer (16x)



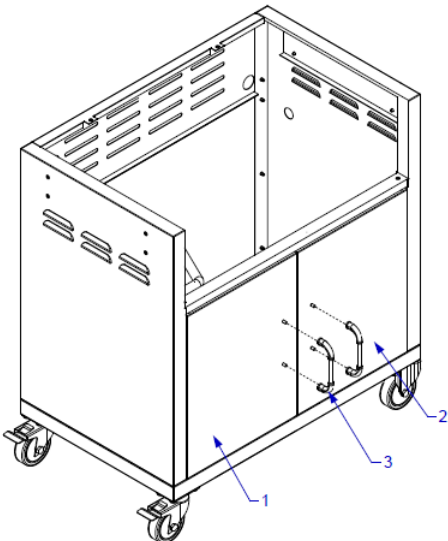
ASSEMBLY INSTRUCTIONS

Before attempting to assemble your grill cart, check that all the necessary parts are included by using the illustrated parts list. Inspect parts for any damage and contact our service center or local dealer for replacement of any damaged parts. Do not assemble or operate a grill cart that appears to be damaged. For your safety, Bull recommends the assistance of another person when assembling larger and/or heavier items.

Step #1. Remove the four casters, screws and washers from the included package. Assemble the casters onto the bottom panel of the cart body with four 1" phillips head screws (1D) and four 5/8" medium flat washers (1G) per caster. Be sure to attach the two casters with brakes on the same end. Note: Hand tighten all caster screws prior to tightening with a screwdriver. Failure to do so may cause irreparable damage to the caster screws.

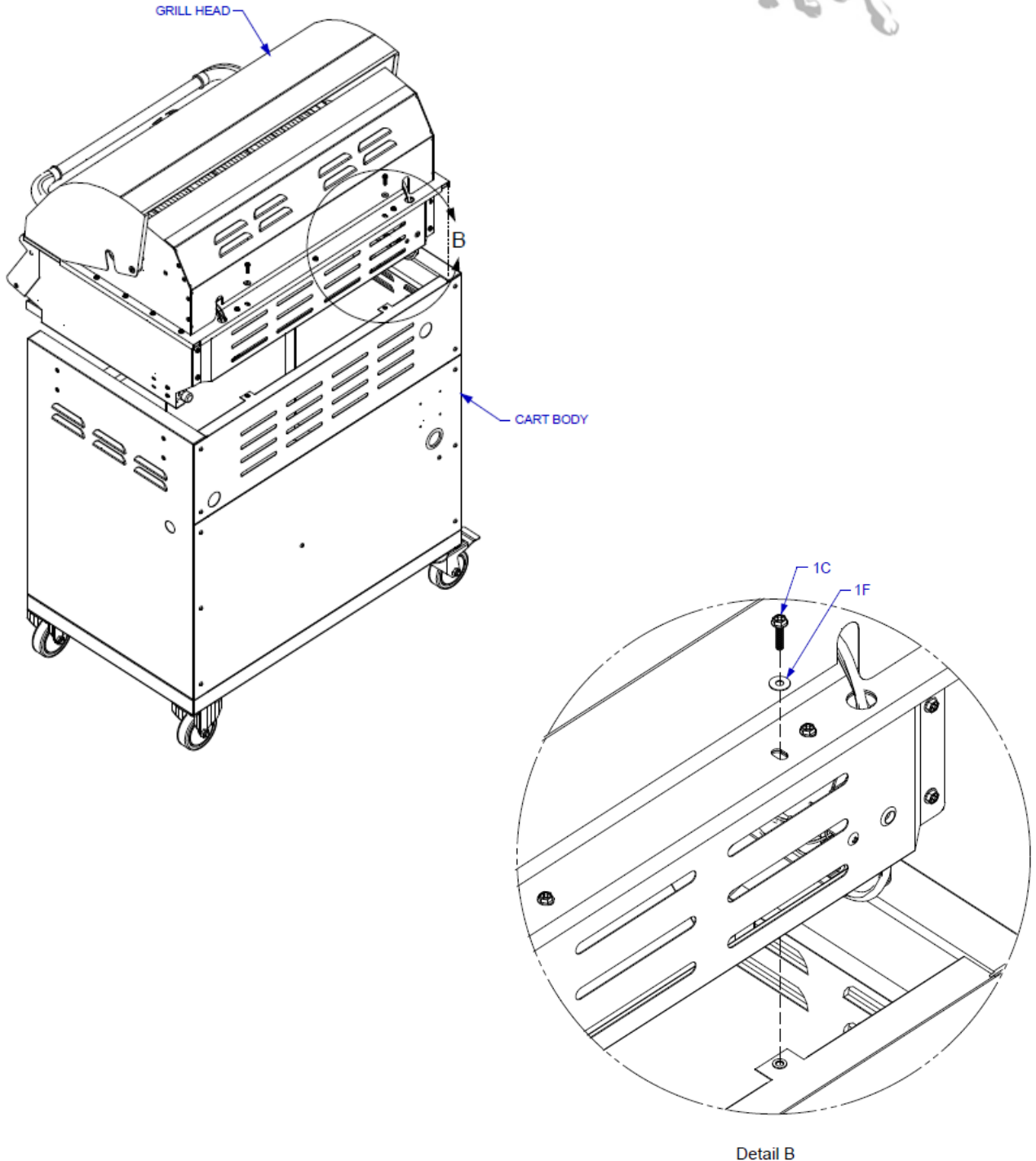


Step #2: The handle screws are pre-assembled on each handle. Simply remove the screws and attach the handles on the exterior of each door.



ASSEMBLY INSTRUCTIONS (Cont.)

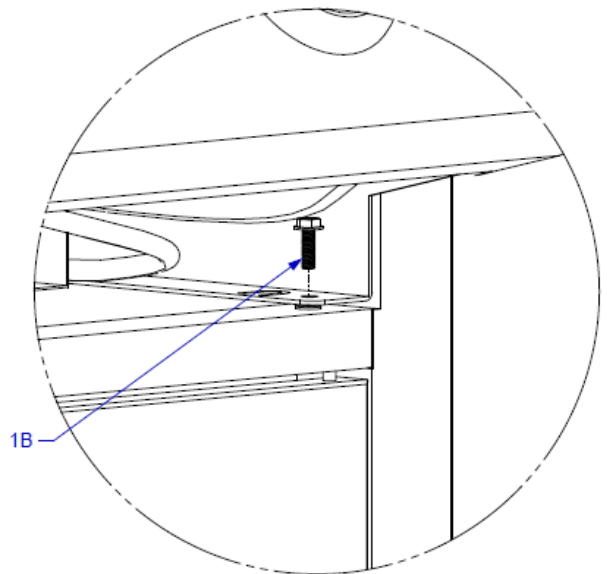
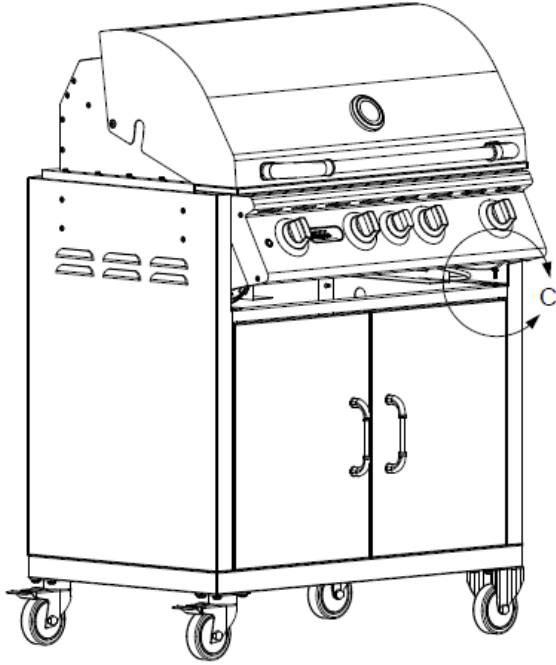
Step #3. Ensure the swivel casters are in the locked position in order to prevent the cart from moving and causing injury. Place the grill head onto the cart (this step will require at least 2 people). Attach the grill head to the cart body using two 1" phillips head screws (1C) and two 9/16" medium flat washers (1F). Align the slots on the back of the grill head to the tabs of the cart. Caution: cross threading will cause irreparable damage to the cart.



Detail B

ASSEMBLY INSTRUCTIONS (Cont.)

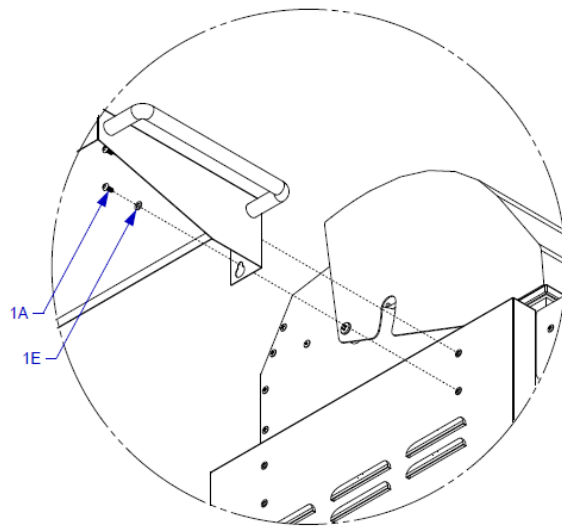
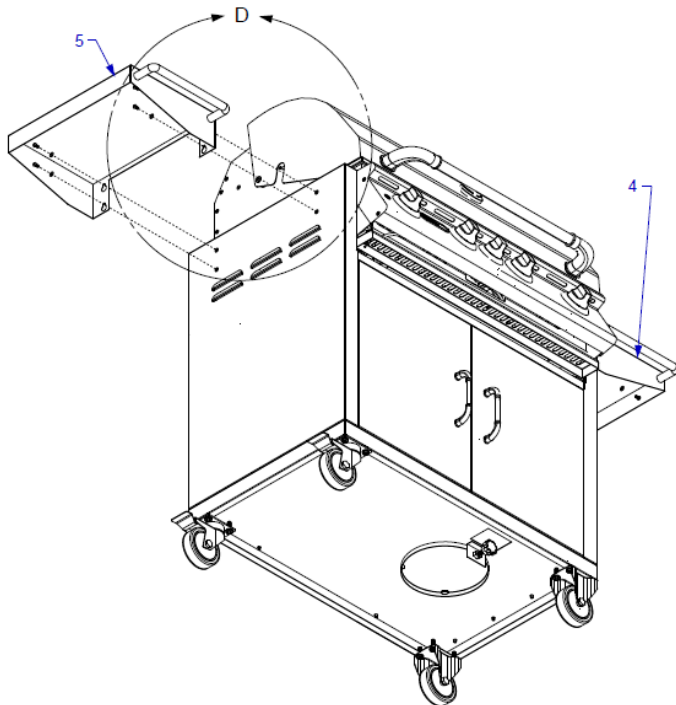
There is a secondary grill head attachment spot located in the front which is not necessary as long as you have the back attached. However, if you wish to secure the front, simply remove the grease tray from the grill head and attach using two 9/16" Phillips head screw (1B).



Detail C

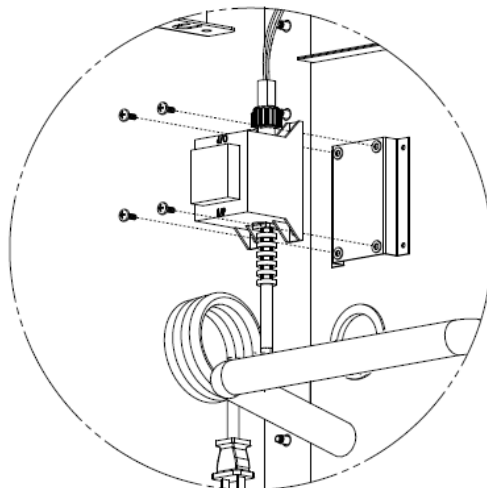
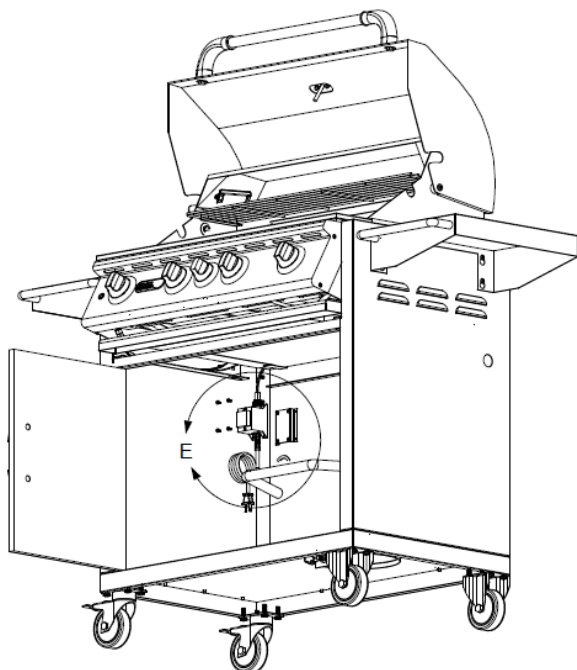
ASSEMBLY INSTRUCTIONS (Cont.)

Step #4. Attach the left and right side shelves to the cart body with four 1/2" allen wrench head screws (1A) and four 7/16" small flat washers (1E) per shelf. Note: To prevent damage to the cart, do not lift unit by the side shelves.



Detail D

Step #5. If your grill head is equipped with an interior light system, attach the grill head transformer to the plate on the inside left of the cart. The screws are already pre-assembled onto the plate.



Detail E

Your grill cart is now completely assembled and ready for use!

Please read and understand all safety, warning and use instructions in the grill manual before use.

CLEANING & MAINTENANCE

CLEANING THE GRILL CART

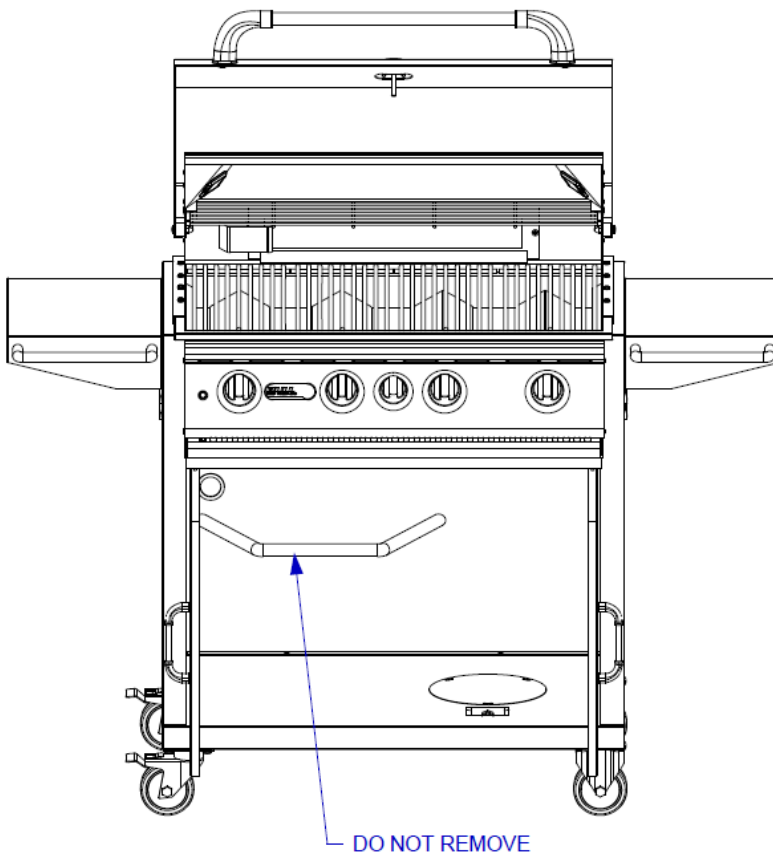
2 easy steps to help you clean your grill cart:

- Make sure the grill head and cart are cool to the touch.
- Wipe down the cart with stainless steel cleaner.

STAINLESS STEEL CLEANING AND MAINTENANCE

Stainless steel is a corrosion resistant chromium/nickel alloy steel that is both durable as well as strong with an outstanding luster. The goal of your cleaning and maintenance routine should be to keep the stainless steel's protective chromium oxide layer intact. This is what prevents corrosion. Contrary to popular belief, stainless steel is NOT rustproof, especially in the environment of a swimming pool. Chlorine, bromine, some fertilizers and other elements are extremely caustic chemicals for stainless steel. These chemicals combined with heat and humidity greatly increase the corrosiveness of these chemicals. Regular cleaning is the best way to prevent corrosion and add years of enjoyment to your Bull stainless steel products.

WARNING! Do not remove the secondary tank prevention bar. Storing a second tank in your cart could cause serious injury.



PARTS LIST

MODEL #45550 30" CART BOTTOM

REF #	PARTS #	DESCRIPTION	QTY	WARRANTY PERIOD
1	45500	LEFT DOOR PANEL	1	1 Yr
2	45501	RIGHT DOOR PANEL	1	1 Yr
3	16572	DOOR HANDLE	2	1 Yr
4	45509	SIDE SHELF - RIGHT	1	1 Yr
5	45510	SIDE SHELF - LEFT	1	1 Yr
6	45505	SIDE SHELF HANDLE	2	1 Yr
7	16513	FIXED CASTER	2	1 Yr
8	16514	SWIVEL CASTER	2	1 Yr
9	75321	TANK RETENTION BOLT	1	1 Yr

HOW TO ORDER REPLACEMENT PARTS

Please refer to the parts list on this page.

To make sure you obtain the replacement parts for your grill cart, the following information is required to assure the correct part.

1. Reference number of replacement part needed.
2. Description of replacement part needed.
3. Quantity of parts needed.

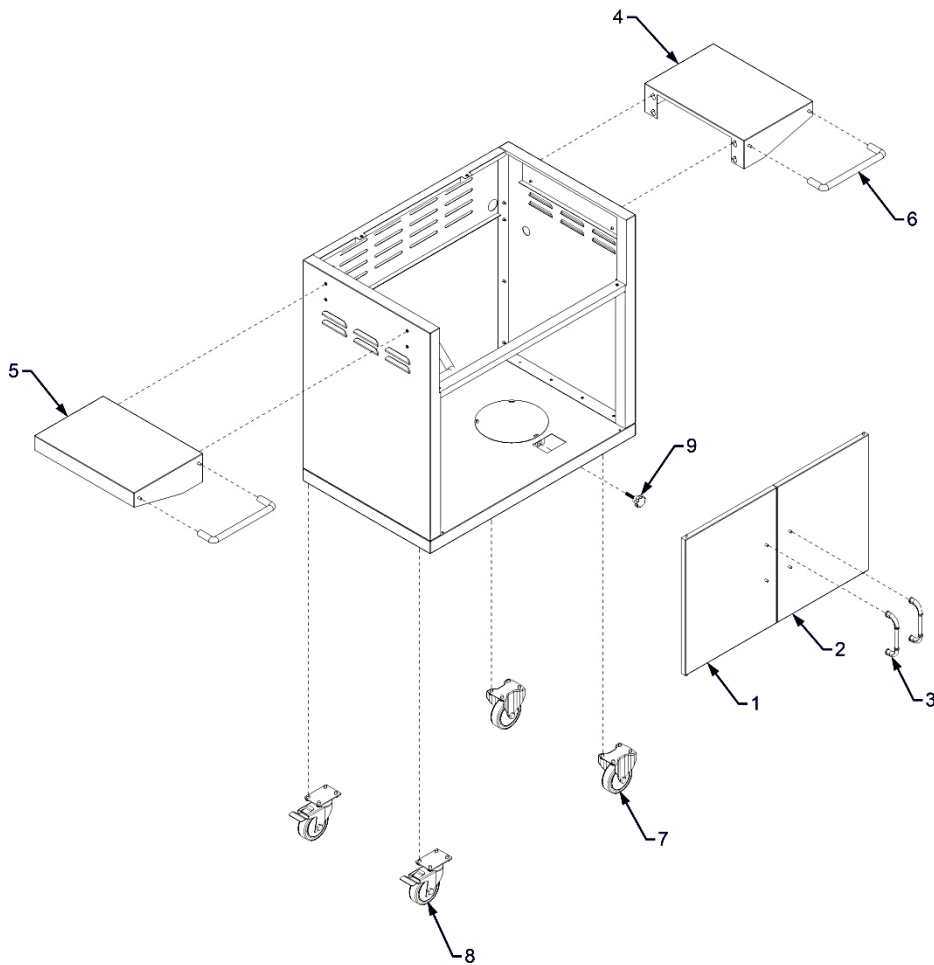
IMPORTANT: Use only factory authorized parts. The use of any part that is not factory authorized can be dangerous and will void your warranty.

IMPORTANT: Keep this assembly and operating instruction manual for referral, and for replacement parts ordering.

Serial number location: Please record your serial number on the limited warranty page of this manual. It is important that this step is completed in order to ensure that correct parts are provided.



EXPLODED ILLUSTRATION



LIMITED WARRANTY

Bull Outdoor Products, Inc. warrants to the original purchaser at the original site of delivery with proof of purchase of each Outdoor Gas Grill that when subject to normal residential use, it is free from defects in workmanship and materials for the periods specified below. This warranty excludes grills used in rental or commercial applications. It does not apply to rust, corrosion, oxidation or discoloration, which may occur due to moisture or overheating, unless the affected component becomes inoperable. It does not cover labor or labor related charges. There will be a shipping and handling charge for the delivery of the warranty part(s).

Our obligation under this warranty is limited to repair or replacement, at our option, of the product during the warranty period. The extent of any liability of Bull Outdoor Products, Inc., under this warranty is limited to repair or replacement. This warranty does not cover normal wear of parts, damage resulting from any of the following: negligent use or misuse of the product, use on improper fuel/gas supply, use contrary to operating instructions, or alteration by any person other than our factory service center. The warranty period is not extended by such repair or replacement.

Warranty claim procedure: If you require service or parts for your Bull grill, please contact our Warranty Service Center for factory direct assistance. Our hours of operation are 8AM to 4 PM PST. Our phone number is (800) 521-2855 and our FAX number is (909) 770-8627. Please direct all correspondence to: **Bull Outdoor Products, Inc., 2483 W. Walnut Ave., Rialto, CA 92376.** ATTN: Warranty Service Center

Product repair as provided under this warranty is your exclusive remedy. Bull Outdoor Products, Inc. shall not be liable for any incidental or consequential damages for breach of any express or implied warranty on its products. Except to the extent prohibited by applicable law, any implied warranty or merchantability or fitness for a particular purpose on this product to the duration of the above warranty. Some states do not allow the exclusion or limitation of incidental or consequential damages, or allow limitations on how long an implied warranty lasts, so the above limitations or exclusions may not apply to you. This warranty gives you specific legal rights, and you may have other rights, which vary from state to state.

Model Number _____

Serial Number _____

Date of Purchase _____

****Attach a copy of your receipt or invoice here****

